

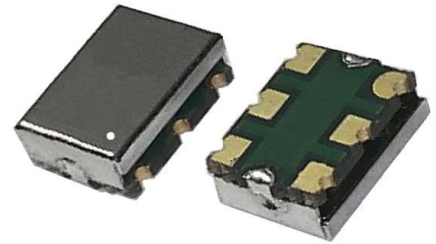
SX7EVTQ

LVPECL SURFACE MOUNT VCTCXO

FEATURES

- FR4 based package
- Low jitter
- Low current consumption

7.0 x 5.0 x 2.5 mm



Item	Specification					
Frequency Range	10 MHz ~ 1450.0 MHz					
Output Signal	LVPECL					
Supply Voltage Vdd (see options)	+2.5V ±5%		+3.3V ±5%			
Supply Current I _{dd}	50.0 mA max , Frequency dependent					
Frequency Tolerance	±2.0 ppm at 25°C ±2°C (one hour after reflow)					
Frequency Stability vs Temperature (see options)		±0.5 ppm	±1.0 ppm	±1.5 ppm	±2.0 ppm	±2.5 ppm
	-20° to +70°C	○	○	○	○	○
	-30° to +75°C	○	○	○	○	○
	-30° to +85°C	○	○	○	○	○
	-40° to +85°C	◇	○	○	○	○
	○ = available		◇ = please contact us		X = not available	
Frequency Stability vs Aging	±1.0 ppm max. per year at 25°C					
Frequency Stability vs Voltage Change	±0.2 ppm max. , for a ±5% input voltage change					
Frequency Stability vs Load Change	±0.2 ppm max. , for a ±10% load condition change					
Output Voltage HIGH V _{OH}	V _{dd} -1.03V min.;V _{dd} -0.95V typ.;V _{dd} -0.6V max					
Output Voltage LOW V _{OL}	V _{dd} -1.85V min.;V _{dd} -1.70V typ.;V _{dd} -1.60V max					
Output Load	50 ohm to V _{dd} -2V					
Symmetry	45 / 55 %					
Rise / Fall time F _r /F _f	0.5 ns max.					
Tri-state function	pin #2 = high or open			pin #4 ==> oscillation		
	pin#2 = low			pin #4 ==> high impedance		
Start-up Time	5 ms max.					
Integrated Phase Jitter (12 kHz to 20 MHz band)	0.8 ps typical					
Voltage Control Function	Supply Voltage (V_{dd})	V _{dd} +2.5V ,V _{con} Center = +1.5V		V _{dd} +3.3V ,V _{con} Center = +1.5V		
	Control voltage range	+1.5V ±1.0V		+1.5V ±1.0V		
	Frequency pulling range	±8 ppm min.				
	Linearity	10 % max				
	Slope polarity	Positive				
	Input impedance	1 MΩ typ.				
	Modulation bandwidth	10 kHz min. (at -3 dB)				
Packing Unit	1000pcs / reel					
Soldering Condition	260°C , 10 sec x2 max					

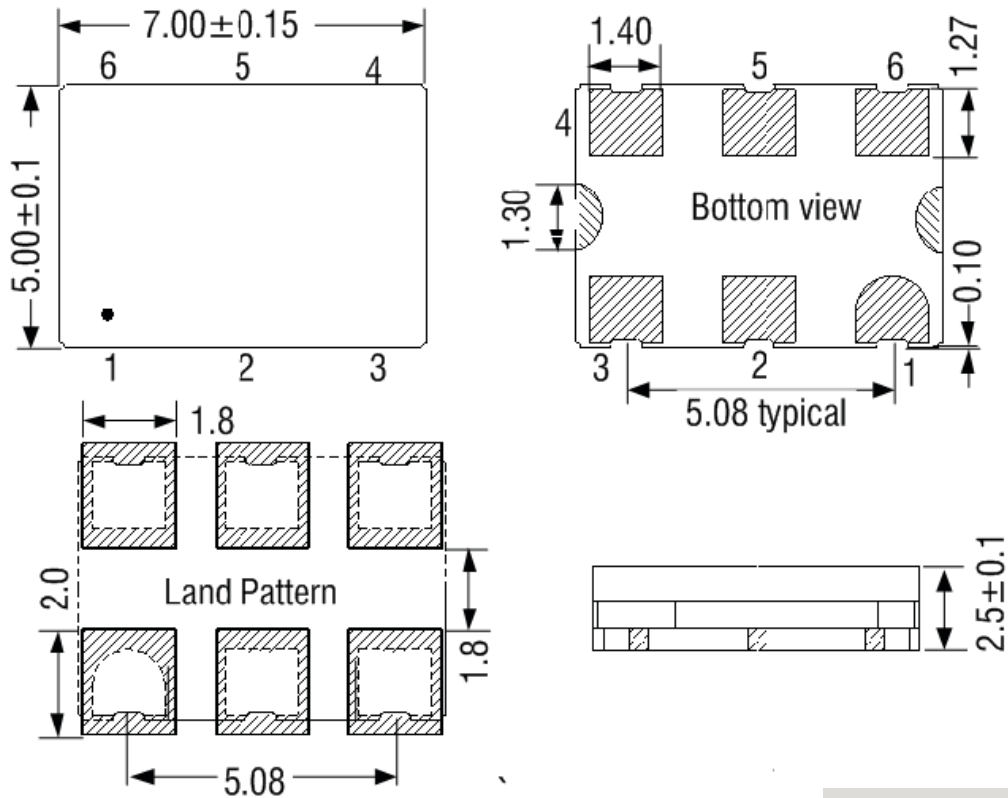
OPTIONS & ORDERING INFORMATION

SX7EVTQ						MHz
Supply Voltage *	Operating Temp. *	Temperature Stability *	Tri-state Function	Package type	Pulling **	Frequency in MHz
25 = +2.5V 33 = +3.3V	F = -20° / +70°C G = -30° / +75°C H = -30° / +85°C K = -40° / +85°C	0.5 = ±0.5 ppm 1.0 = ±1.0 ppm 1.5 = ±1.5 ppm 2.0 = ±2.0 ppm 2.5 = ±2.5 ppm	E2 = Tri-state , pin 2	6P = 6-pad version	08 = ±8 ppm min.	Please specify the frequency in MHz

*Note : Not all combinations are possible , please consult us.

** Other pulling range is available on customer specification

OUTLINE DIMENSIONS (MM)



Pin Connections

#1 : Control Voltage

#2 : E/D

#3: GND

#4 : Output

#5 : Complementary Output

#6 :Vdd