

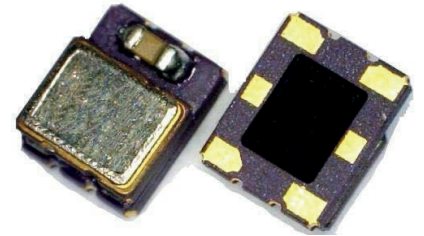
SX3EVTP

LVPECL SURFACE MOUNT VCTCXO

FEATURES

- Miniature package
- Programmable VCTCXO
- One day delivery

3.2 x 2.5 x 1.7 mm



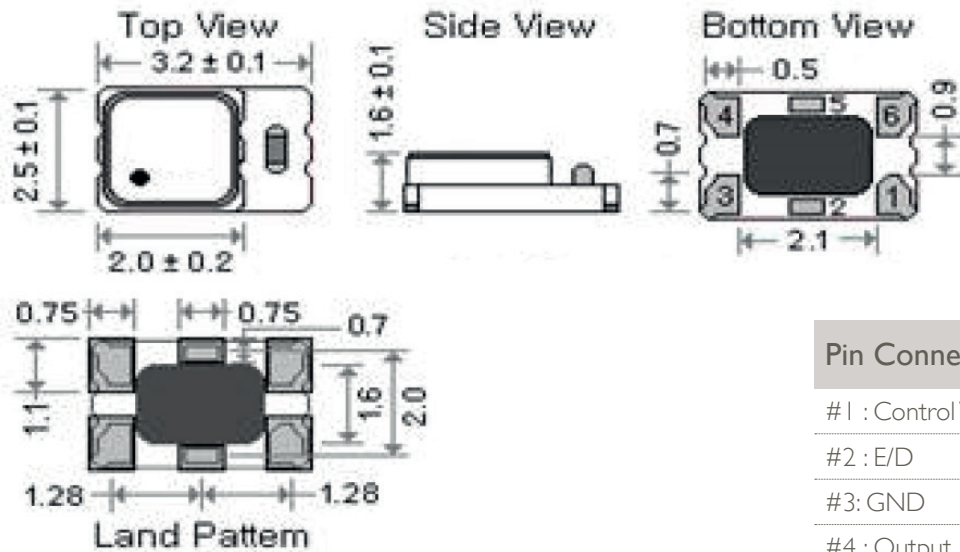
Item	Specification																														
Frequency Range	10 MHz ~ 1450.0 MHz																														
Output Signal	LVPECL																														
Supply Voltage Vdd	+2.5V ±5% +3.3V ±5%																														
Supply Current Idd	50.0 mA max , Frequency dependent																														
Frequency Tolerance	±2.0 ppm at 25°C ±2°C (one hour after reflow)																														
Frequency Stability vs Temperature (see options)	<table border="1"> <thead> <tr> <th></th> <th>±0.5 ppm</th> <th>±1.0 ppm</th> <th>±1.5 ppm</th> <th>±2.0 ppm</th> <th>±2.5 ppm</th> </tr> </thead> <tbody> <tr> <td>-20° to +70°C</td> <td>○</td> <td>○</td> <td>○</td> <td>○</td> <td>○</td> </tr> <tr> <td>-30° to +75°C</td> <td>○</td> <td>○</td> <td>○</td> <td>○</td> <td>○</td> </tr> <tr> <td>-30° to +85°C</td> <td>◇</td> <td>○</td> <td>○</td> <td>○</td> <td>○</td> </tr> <tr> <td>-40° to +85°C</td> <td>X</td> <td>○</td> <td>○</td> <td>○</td> <td>○</td> </tr> </tbody> </table> <p>○ = available ◇ = please contact us X = not available</p>		±0.5 ppm	±1.0 ppm	±1.5 ppm	±2.0 ppm	±2.5 ppm	-20° to +70°C	○	○	○	○	○	-30° to +75°C	○	○	○	○	○	-30° to +85°C	◇	○	○	○	○	-40° to +85°C	X	○	○	○	○
	±0.5 ppm	±1.0 ppm	±1.5 ppm	±2.0 ppm	±2.5 ppm																										
-20° to +70°C	○	○	○	○	○																										
-30° to +75°C	○	○	○	○	○																										
-30° to +85°C	◇	○	○	○	○																										
-40° to +85°C	X	○	○	○	○																										
Frequency Stability vs Aging	±1.0 ppm max. per year at 25°C																														
Frequency Stability vs Voltage Change	±0.2 ppm max. , for a ±5% input voltage change																														
Frequency Stability vs Load Change	±0.2 ppm max. , for a ±10% load condition change																														
Output Voltage HIGH VOH	Vdd -1.03 V min.;Vdd -0.95 V typ.;Vdd -0.6 V max																														
Output Voltage LOW VOL	Vdd -1.85 V min.;Vdd -1.70 V typ.;Vdd -1.60 V max																														
Output Load	50 ohm to Vdd-2V																														
Symmetry	45 / 55 %																														
Rise / Fall time Fr/Ff	0.5 ns max.																														
Tri-state function	pin #2 = high or open pin #4 - #5 ==> oscillation pin#2 = low pin #4 - #5 ==> high impedance																														
Start-up Time	5 ms max.																														
Integrated Phase Jitter (12 kHz to 20 MHz band)	1.5 ps typical																														
Voltage Control Function	<table border="1"> <thead> <tr> <th>Supply Voltage (Vdd)</th> <th>Vdd +2.5V ,Vcon Center = +1.5V</th> <th>Vdd +3.3V ,Vcon Center = +1.5V</th> </tr> </thead> <tbody> <tr> <td>Control voltage range</td> <td>+1.5V ±1.0V</td> <td>+1.5V ±1.0V</td> </tr> <tr> <td>Frequency pulling range</td> <td colspan="2">±8 ppm min.</td> </tr> <tr> <td>Linearity</td> <td colspan="2">10 % max</td> </tr> <tr> <td>Slope polarity</td> <td colspan="2">Positive</td> </tr> <tr> <td>Input impedance</td> <td colspan="2">1 MΩ typ.</td> </tr> <tr> <td>Modulation bandwidth</td> <td colspan="2">10 kHz min. (at -3 dB)</td> </tr> </tbody> </table>	Supply Voltage (Vdd)	Vdd +2.5V ,Vcon Center = +1.5V	Vdd +3.3V ,Vcon Center = +1.5V	Control voltage range	+1.5V ±1.0V	+1.5V ±1.0V	Frequency pulling range	±8 ppm min.		Linearity	10 % max		Slope polarity	Positive		Input impedance	1 MΩ typ.		Modulation bandwidth	10 kHz min. (at -3 dB)										
Supply Voltage (Vdd)	Vdd +2.5V ,Vcon Center = +1.5V	Vdd +3.3V ,Vcon Center = +1.5V																													
Control voltage range	+1.5V ±1.0V	+1.5V ±1.0V																													
Frequency pulling range	±8 ppm min.																														
Linearity	10 % max																														
Slope polarity	Positive																														
Input impedance	1 MΩ typ.																														
Modulation bandwidth	10 kHz min. (at -3 dB)																														
Packing Unit	1000pcs / reel																														
Soldering Condition	260°C , 10 sec x2 max																														

OPTIONS & ORDERING INFORMATION

SX3EVTP						MHz
Supply Voltage *	Operating Temp. *	Temperature Stability *	Tri-state Function	Package type	Pulling *	Frequency in MHz
25 = +2.5V 33 = +3.3V	F = -20° / +70°C G = -30° / +75°C H = -30° / +85°C K = -40° / +85°C	0.5 = ±0.5 ppm 1.0 = ±1.0 ppm 1.5 = ±1.5 ppm 2.0 = ±2.0 ppm 2.5 = ±2.5 ppm	E2 = Tri-state , pin 2	6P = 6-pad version	08 = ±8 ppm min.	Please specify the frequency in MHz

* Note : Not all combinations are possible , please consult us.

OUTLINE DIMENSIONS (MM)



Pin Connections

- #1 : Control Voltage
- #2 : E/D
- #3: GND
- #4 : Output
- #5 : Complementary Output
- #6 :Vdd